

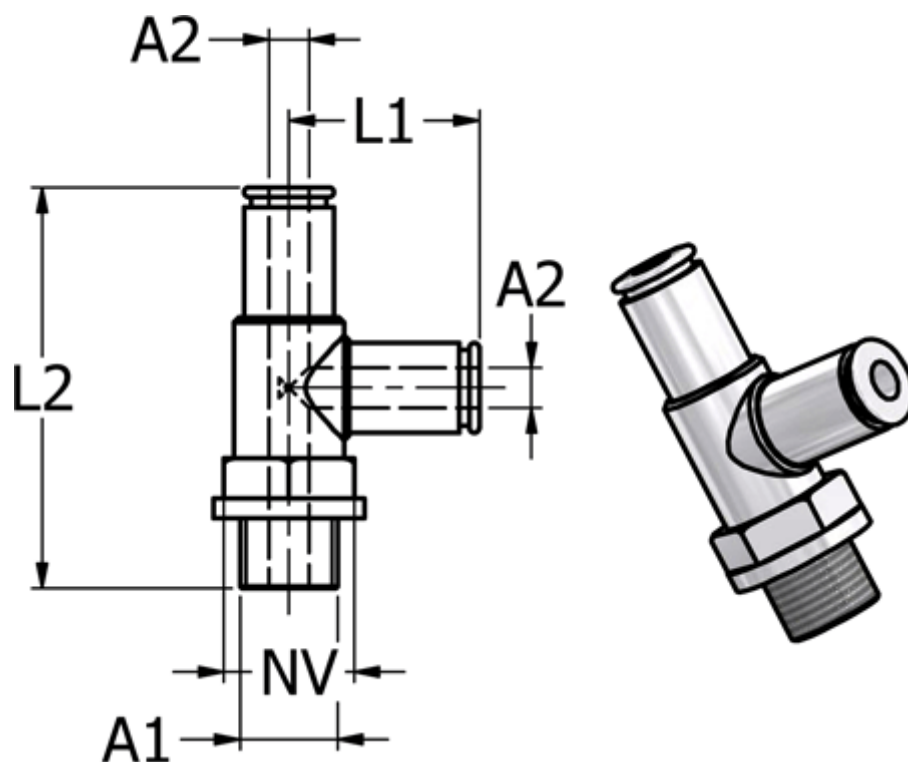
# Data Sheet



Article number: 58686201410

Description: Metal Push-in fitting 862.014-10,  $\text{Ø}10 / \text{Ø}10 / \text{G } 1/4''$   
Tee with FPM O-ring

## Measures



Ext. hose diameter A2	= 10
L1	= 27
L2	= 51
NV	= 16
Thread A1	= G 1/4''